



M-MOS Semiconductor Hong Kong Limited
20V P-Channel Enhancement-Mode MOSFET

V_{DS} = -20V

R_{DS(ON)}, V_{gs} @ -4.5V, I_{ds} @ -4A = 55mΩ

ESD Protected Gate : 3kV

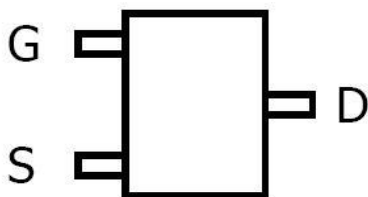
R_{DS(ON)}, V_{gs} @ -2.5V, I_{ds} @ -4A = 63mΩ

R_{DS(ON)}, V_{gs} @ -1.8V, I_{ds} @ -2A = 73mΩ

Features

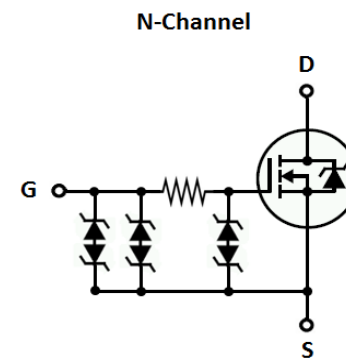
Advanced trench process technology
 High Density Cell Design For Ultra Low On-Resistance

SOT-23



Top View

Internal Schematic Diagram



P-Channel MOSFET

Maximum Ratings and Thermal Characteristics (T_A = 25°C unless otherwise noted)

Parameter	Symbol	Limit	Unit	
Drain-Source Voltage	V _{DS}	-20	V	
Gate-Source Voltage	V _{GS}	± 8		
Continuous Drain Current	I _D	-4	A	
Pulsed Drain Current ¹⁾	I _{DM}	-30		
Maximum Power Dissipation	P _D	TA = 25°C	1.4	W
		TA = 75°C	0.9	
Operating Junction and Storage Temperature Range	T _J , T _{stg}	-55 to 150	°C	
Junction-to-Ambient Thermal Resistance (PCB mounted) ²⁾	R _{θJA}	140	°C/W	

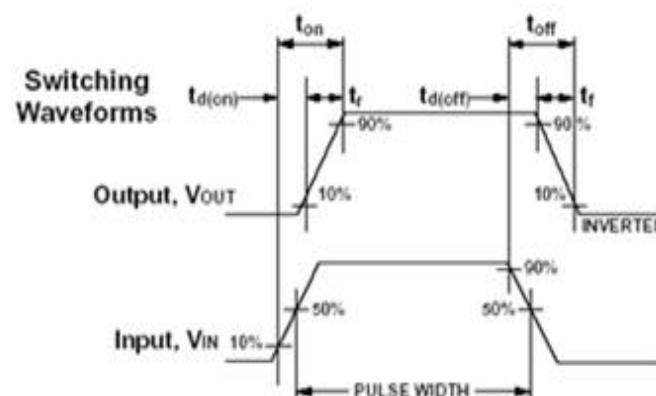
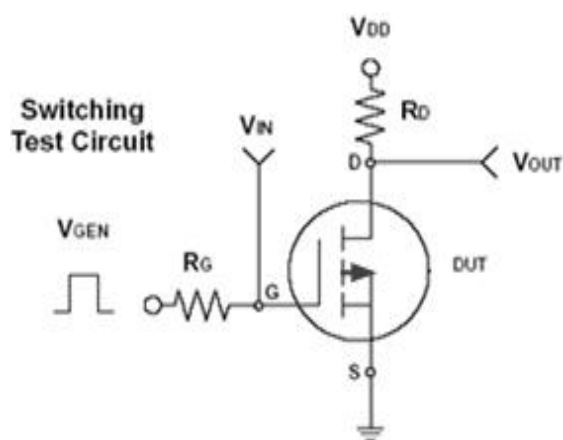
Note: 1. Repetitive Rating: Pulse width limited by the maximum junction temperature
 2. 1-in² 2oz Cu PCB board

P-Channel Enhancement-Mode MOSFET
ELECTRICAL CHARACTERISTICS

Parameter	Symbol	Test Condition	Min	Typ	Max	Unit
Static						
Drain-Source Breakdown Voltage	BV_{DSS}	$V_{GS} = 0V, I_D = -250\mu A$	-20			V
Drain-Source On-State Resistance	$R_{DS(on)}$	$V_{GS} = -4.5V, I_D = -4A$		46.0	55.0	m Ω
Drain-Source On-State Resistance	$R_{DS(on)}$	$V_{GS} = -2.5V, I_D = -4A$		54.0	63.0	
Drain-Source On-State Resistance	$R_{DS(on)}$	$V_{GS} = -1.8V, I_D = -2A$		66.0	73.0	
Gate Threshold Voltage	$V_{GS(th)}$	$V_{DS} = V_{GS}, I_D = -250\mu A$	-0.3	-0.6	-1	V
Zero Gate Voltage Drain Current	I_{DSS}	$V_{DS} = -16V, V_{GS} = 0V$			-1	μA
Gate Body Leakage	I_{GSS}	$V_{GS} = \pm 8V, V_{DS} = 0V$			± 10	μA
Dynamic³⁾						
Total Gate Charge	Q_g	$V_{DS} = -10V, I_D = -4.2A$ $V_{GS} = -4.5V$		10.7		nC
Gate-Source Charge	Q_{gs}			2.81		
Gate-Drain Charge	Q_{gd}			2.36		
Turn-On Delay Time	$t_{d(on)}$	$V_{DD} = -10V, R_L = 10\Omega$ $I_D = -1A, V_{GEN} = -4.5V$ $R_G = 2.8\Omega$		716		ns
Turn-On Rise Time	t_r			1480		
Turn-Off Delay Time	$t_{d(off)}$			10400		
Turn-Off Fall Time	t_f			4340		
Input Capacitance	C_{iss}	$V_{DS} = 1V, V_{GS} = 0V$ $f = 1.0\text{ MHz}$		1300		pF
Output Capacitance	C_{oss}			287		
Reverse Transfer Capacitance	C_{rss}			277		
Source-Drain Diode						
Max. Diode Forward Current	I_S				-2.2	A
Diode Forward Voltage	V_{SD}	$I_S = -1A, V_{GS} = 0V$		0.686	-1	V

Note: Pulse test: pulse width $\leq 300\mu s$, duty cycle $\leq 2\%$

3. Guaranteed by design; not subject to production testing





Notice

1. Specification of the products displayed herein are subject to change without notice. Continuous development may necessitate changes in technical data without notice. M-MOS Semiconductor Sdn. Bhd. or anyone on its behalf, assumes no responsibility or liability for any errors or inaccuracies.

2. Stresses beyond those listed under “Absolute Maximum Ratings” may cause permanent damage to the device. These are stress ratings only, and functional operation of the device at these or any other conditions beyond those indicated in the operational sections of the specifications is not implied. Exposure to absolute maximum rating conditions for extended periods may affect device reliability.