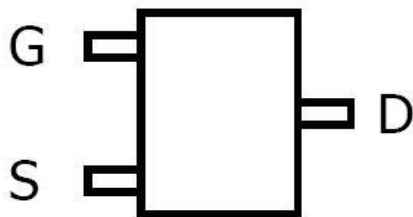
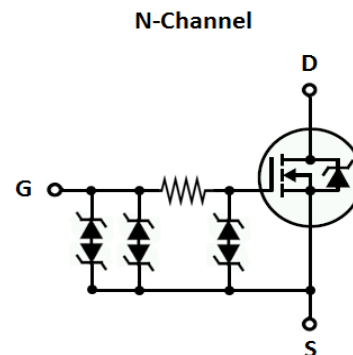


**M-MOS Semiconductor Hong Kong Limited**
**20V N-Channel Enhancement-Mode MOSFET**
 **$V_{DS} = 20V$** 
**ESD Protected Gate: 2kV**
 **$R_{DS(ON)}, V_{GS} @ 1.8V, I_{DS} @ 0.2A = 2000m\Omega$** 
 **$R_{DS(ON)}, V_{GS} @ 2.5V, I_{DS} @ 0.3A = 800m\Omega$** 
 **$R_{DS(ON)}, V_{GS} @ 4.5V, I_{DS} @ 0.5A = 500m\Omega$** 
**Features**

Advanced trench process technology  
 High Density Cell Design For Ultra Low On-Resistance  
 Specially Designed for Li ion battery packs use  
 Designed for battery switch applications  
 Battery Switth, ESD protected

**SOT-23**

**Top View**
**Internal Schematic Diagram**

**N-Channel MOSFET**
**Maximum Ratings and Thermal Characteristics ( $T_A = 25^\circ C$  unless otherwise noted)**

Parameter	Symbol	Limit	Unit	
Drain-Source Voltage	$V_{DS}$	20	V	
Gate-Source Voltage	$V_{GS}$	$\pm 8$		
Continuous Drain Current	$I_D$	800	mA	
Pulsed Drain Current <sup>1)</sup>	$I_{DM}$	1600		
Maximum Power Dissipation	$P_D$	$T_A = 25^\circ C$	100	mW
		$T_A = 75^\circ C$	200	
Operating Junction and Storage Temperature Range	$T_J, T_{stg}$	-55 to 150	$^\circ C$	
Junction-to-Ambient Thermal Resistance (PCB mounted) <sup>2)</sup>	$R_{qJA}$	140	$^\circ C/W$	

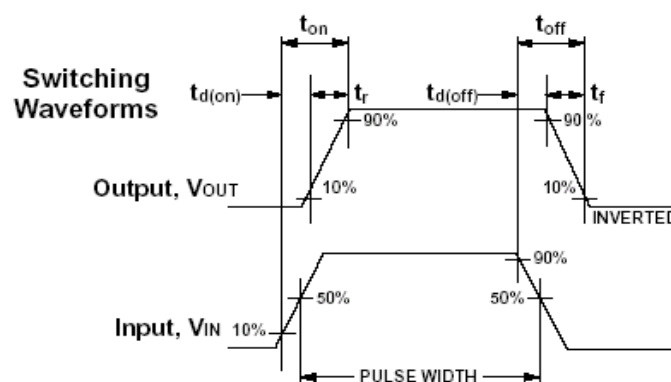
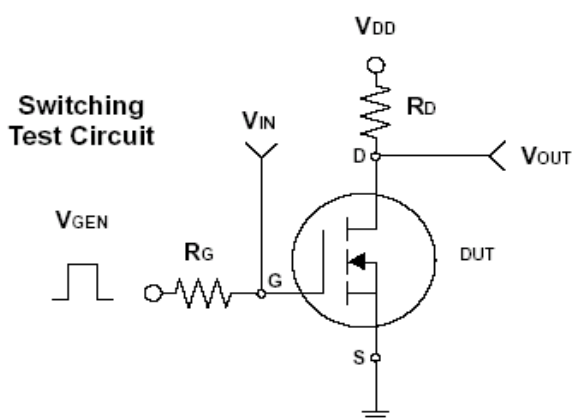
**Note:** 1. Fused current that based on wire numbers and diameter  
 2. Repetitive Rating: Pulse width limited by the maximum junction temperature  
 3. 1-in<sup>2</sup> 2oz Cu PCB board

**N-Channel Enhancement-Mode MOSFET**
**ELECTRICAL CHARACTERISTICS**

Parameter	Symbol	Test Condition	Min	Typ	Max	Unit
<b>Static</b>						
Drain-Source Breakdown Voltage	$BV_{DSS}$	$V_{GS} = 0V, I_D = 250\mu A$	20			V
Drain-Source On-State Resistance	$R_{DS(on)}$	$V_{GS} = 1.8V, I_D = 0.2A$		238.0	2000.0	m $\Omega$
Drain-Source On-State Resistance	$R_{DS(on)}$	$V_{GS} = 2.5V, I_D = 0.3A$		149.0	800.0	
Drain-Source On-State Resistance	$R_{DS(on)}$	$V_{GS} = 4.5V, I_D = 0.5A$		112.0	500.0	
Gate Threshold Voltage	$V_{GS(th)}$	$V_{DS} = V_{GS}, I_D = 250\mu A$	0.5	0.75	1.5	V
Zero Gate Voltage Drain Current	$I_{DSS}$	$V_{DS} = 16V, V_{GS} = 0V$			1	$\mu A$
Gate Body Leakage	$I_{GSS}$	$V_{GS} = \pm 8V, V_{DS} = 0V$			$\pm 10$	$\mu A$
<b>Dynamic<sup>3)</sup></b>						
Total Gate Charge	$Q_g$	$V_{DS} = 10V, I_D = 1A$ $V_{GS} = 4.5V$		1.566		nC
Gate-Source Charge	$Q_{gs}$			0.580		
Gate-Drain Charge	$Q_{gd}$			2.858		
Turn-On Delay Time	$t_{d(on)}$	$V_{DD} = 10V,$ $I_D = 1A, V_{GEN} = 4.5V$ $R_G = 3W$		7.060		ns
Turn-On Rise Time	$t_r$			17.565		
Turn-Off Delay Time	$t_{d(off)}$			31.493		
Turn-Off Fall Time	$t_f$			4.262		
Input Capacitance	$C_{iss}$	$V_{DS} = 10V, V_{GS} = 0V$ $f = 200KHz$		92.335		pF
Output Capacitance	$C_{oss}$			22.148		
Reverse Transfer Capacitance	$C_{rss}$			12.200		
<b>Source-Drain Diode</b>						
Max. Diode Forward Current	$I_S$				1.7	A
Diode Forward Voltage	$V_{SD}$	$I_S = 800mA, V_{GS} = 0V$			1.2	V

Note: Pulse test: pulse width  $\leq 300\mu s$ , duty cycle  $\leq 2\%$

3. Guaranteed by design; not subject to production testing





### Notice

1. Specification of the products displayed herein are subject to change without notice. Continuous development may necessitate changes in technical data without notice. M-MOS Semiconductor Sdn. Bhd. or anyone on its behalf, assumes no responsibility or liability for any errors or inaccuracies.

2. Stresses beyond those listed under "Absolute Maximum Ratings" may cause permanent damage to the device. These are stress ratings only, and functional operation of the device at these or any other conditions beyond those indicated in the operational sections of the specifications is not implied. Exposure to absolute maximum rating conditions for extended periods may affect device reliability.